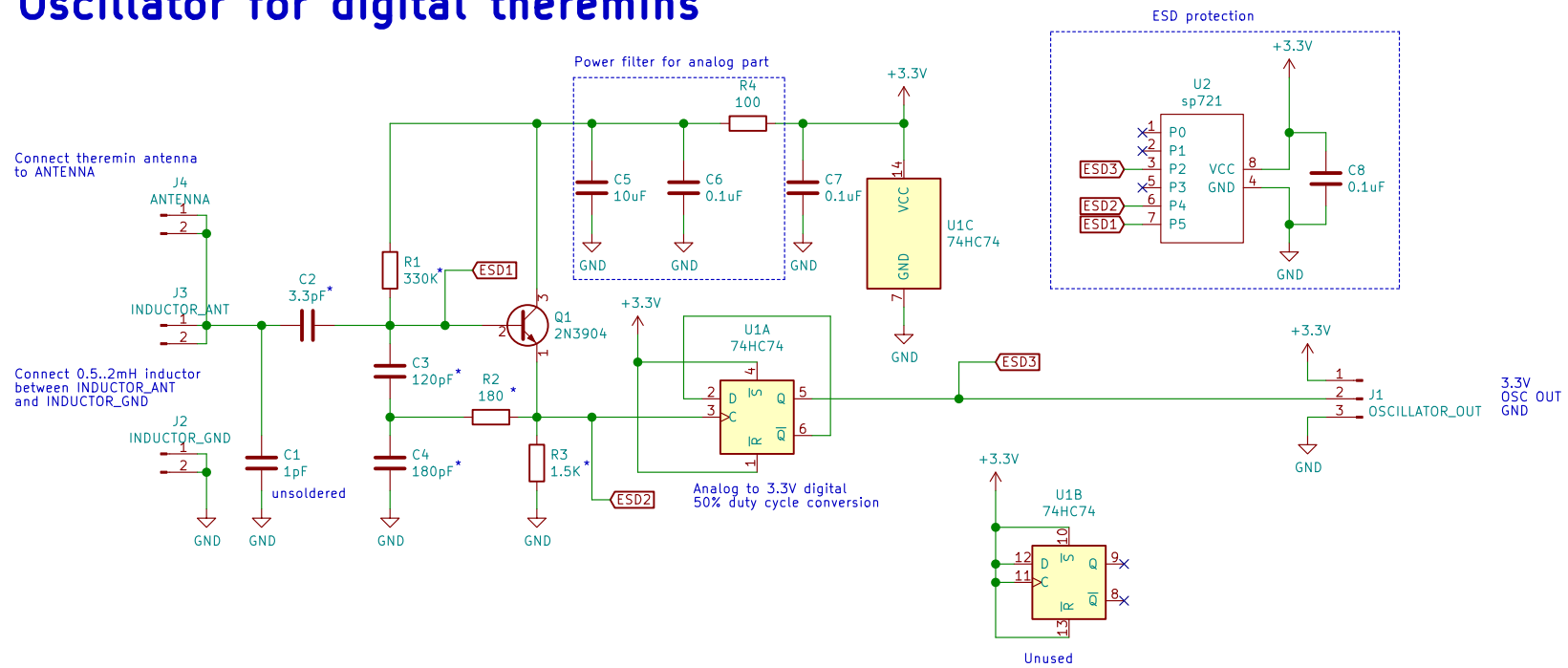


Oscillator for digital theremins



(c) Vadim Lopatin 2019

Sheet: /
File: theremin_sensor.sch

Title: Theremin Oscillator Board

Size: A4
KiCad E.D.A. kicad (5.0.2)-1

Date:
Rev: v0.1
Id: 1/1